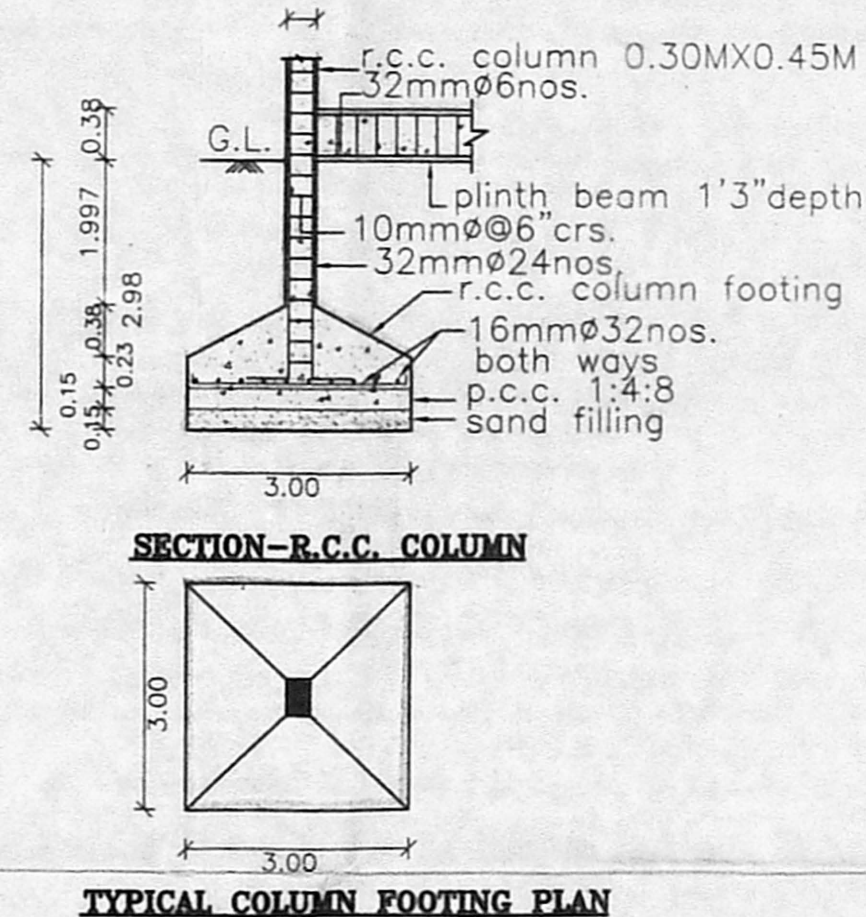
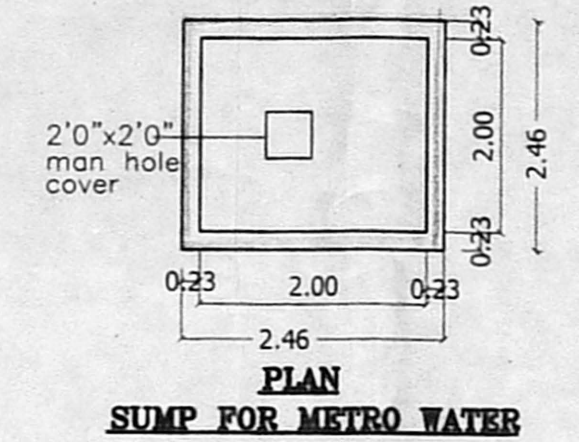
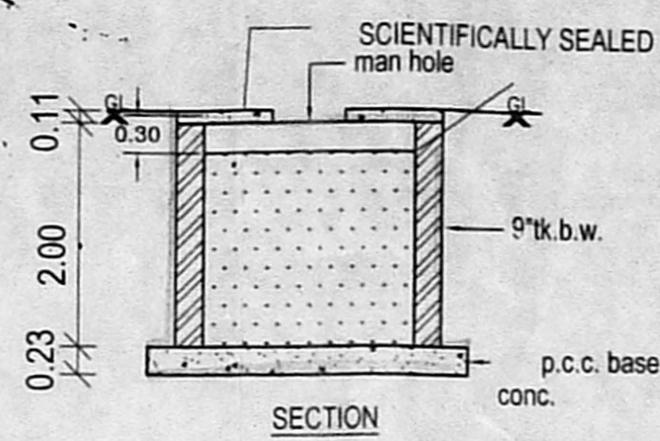
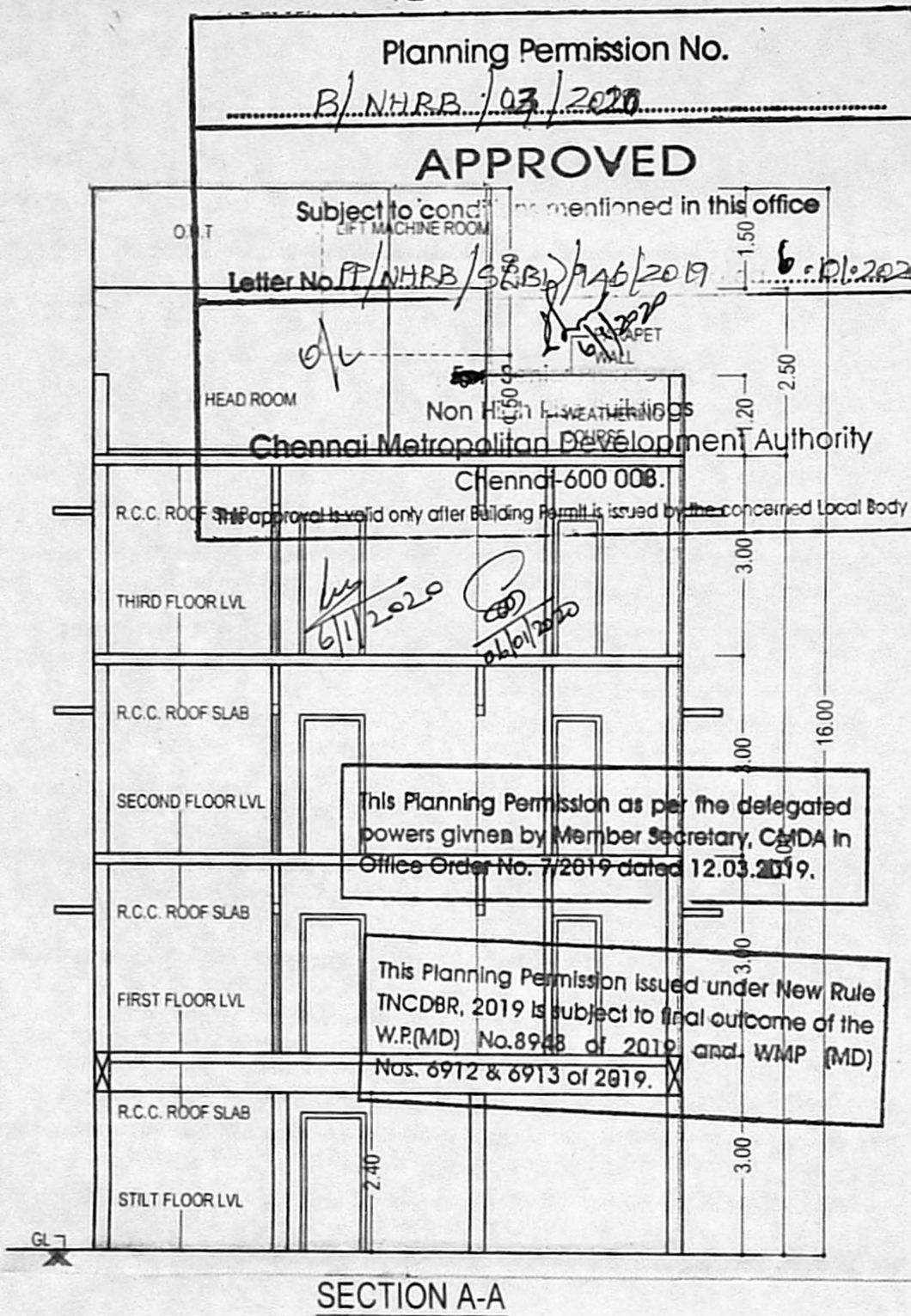
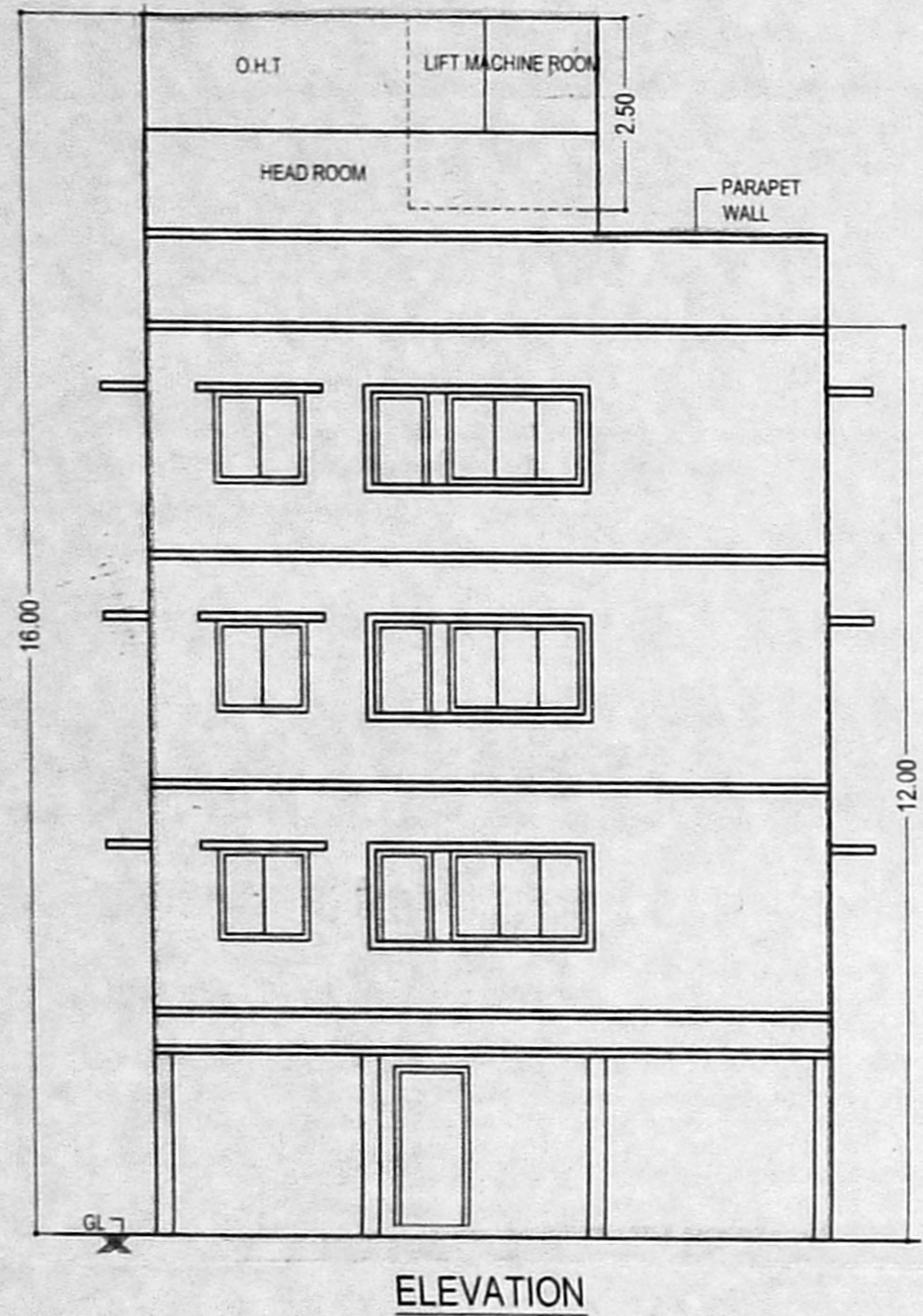


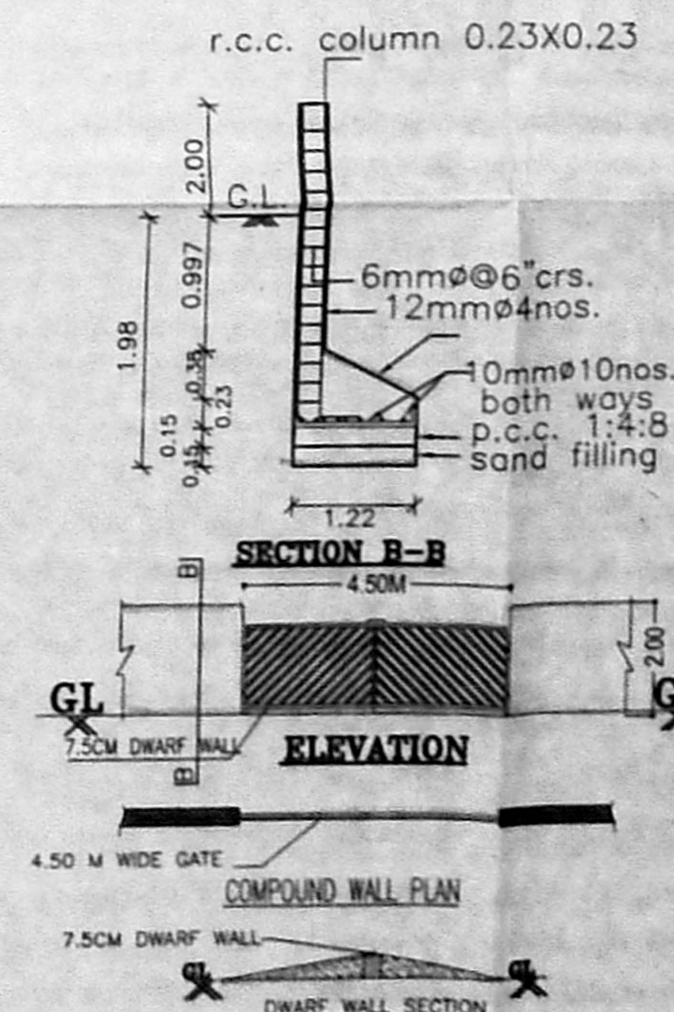
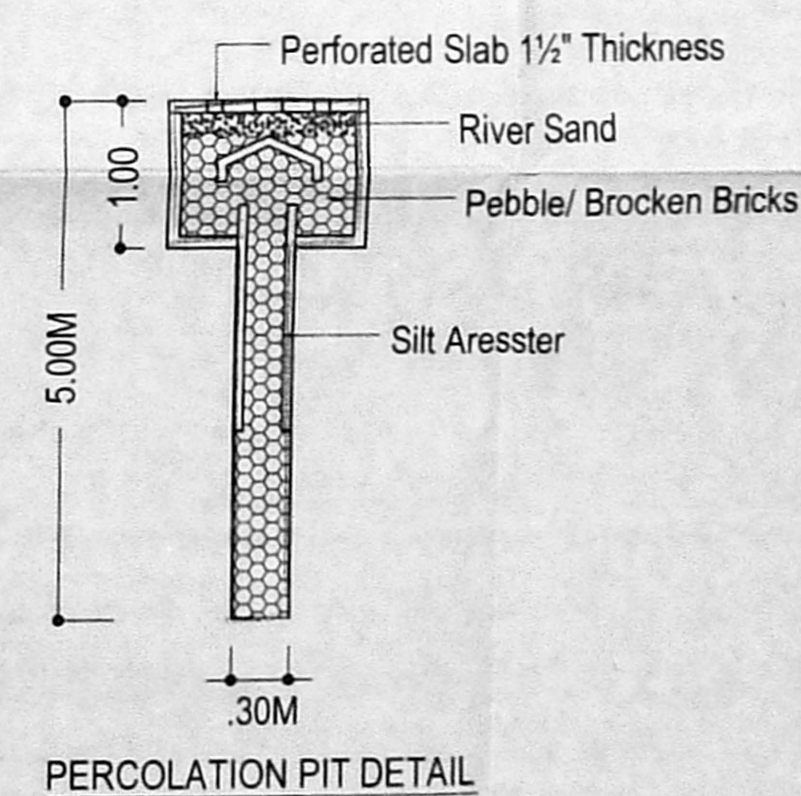
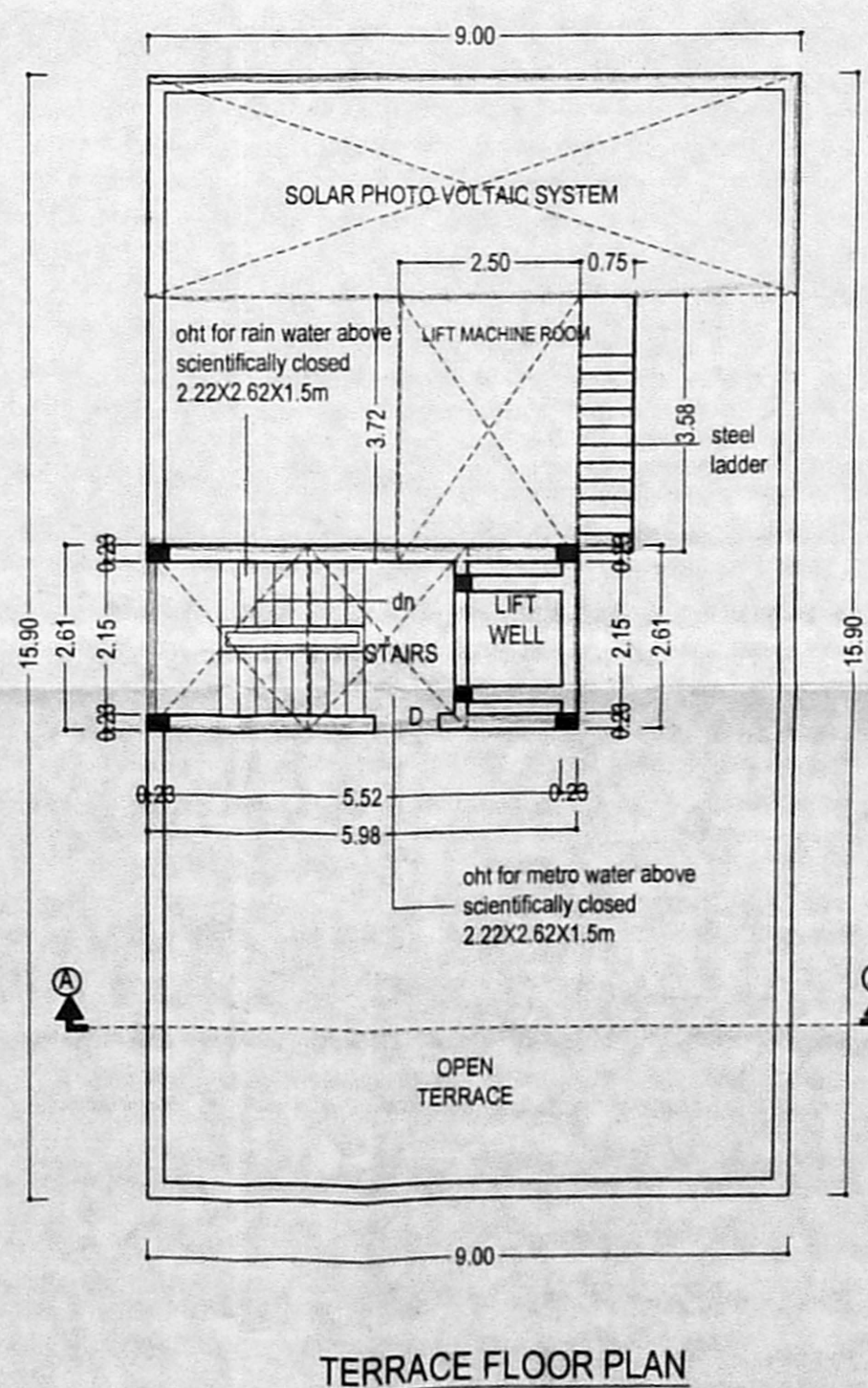
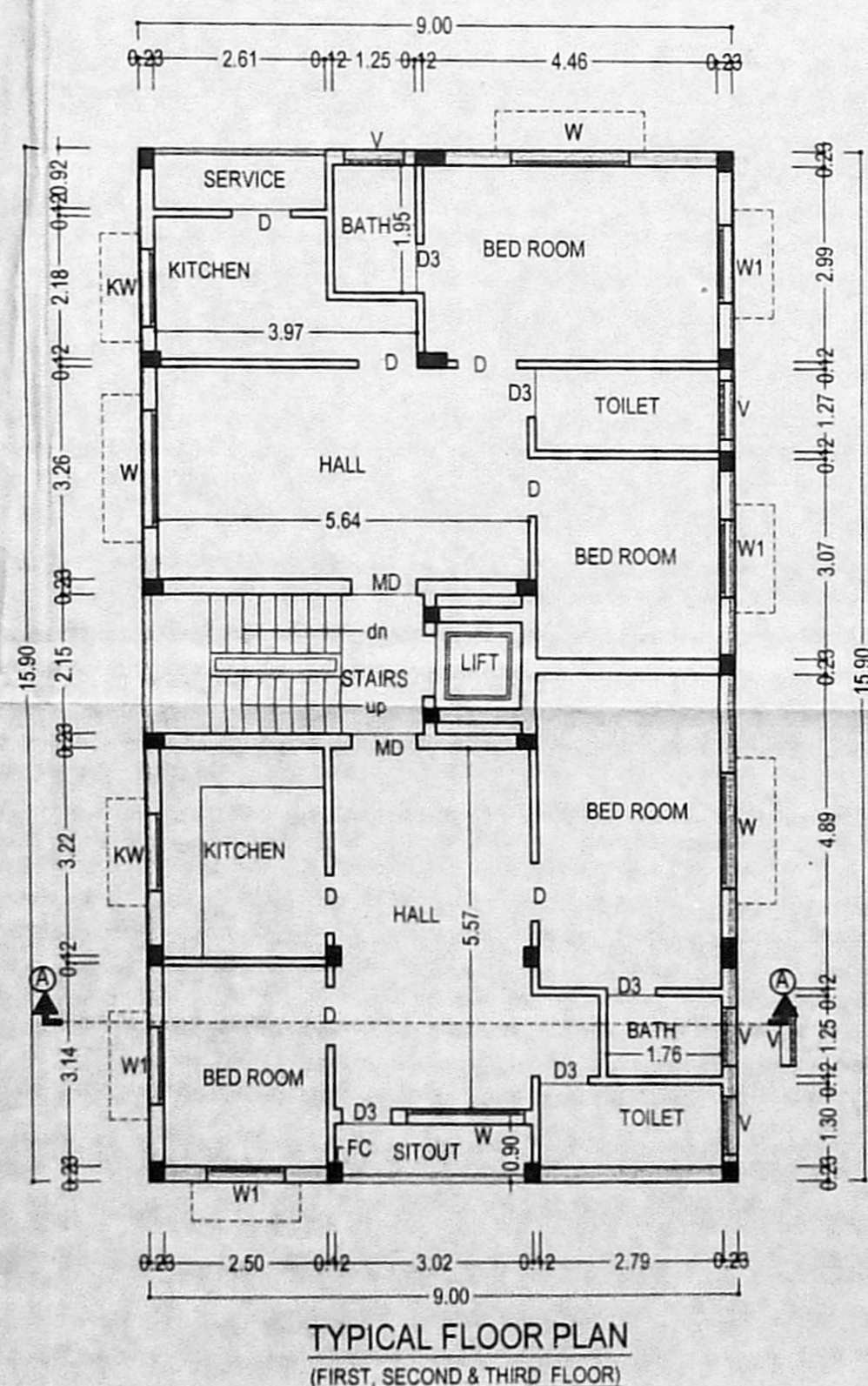
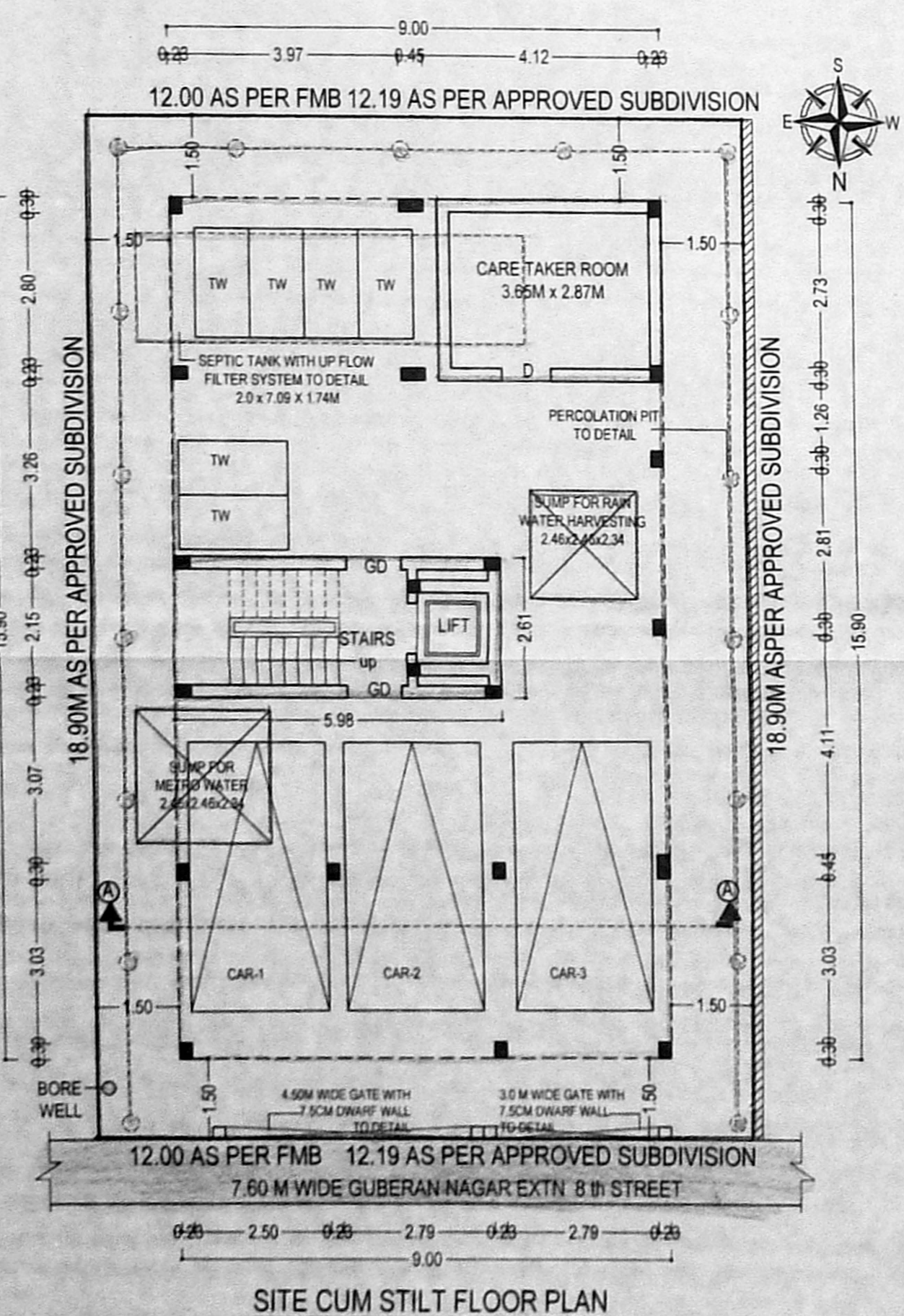
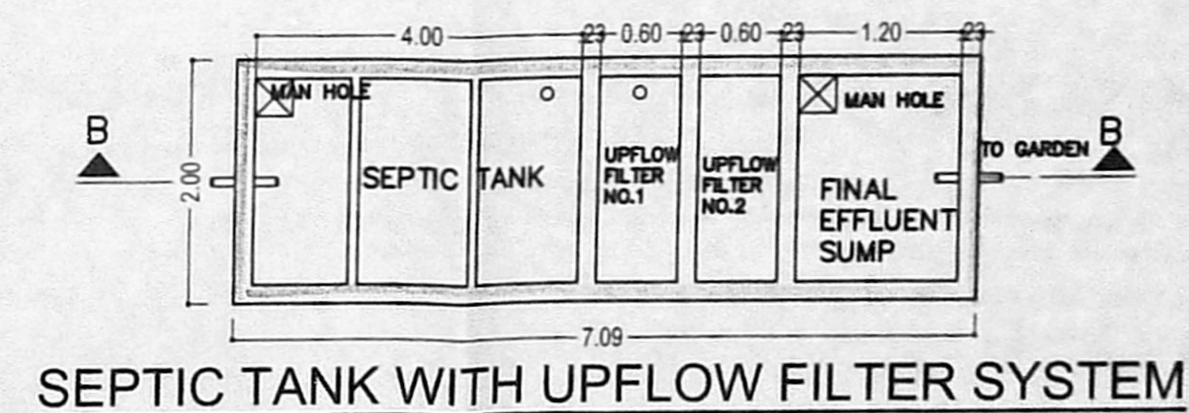
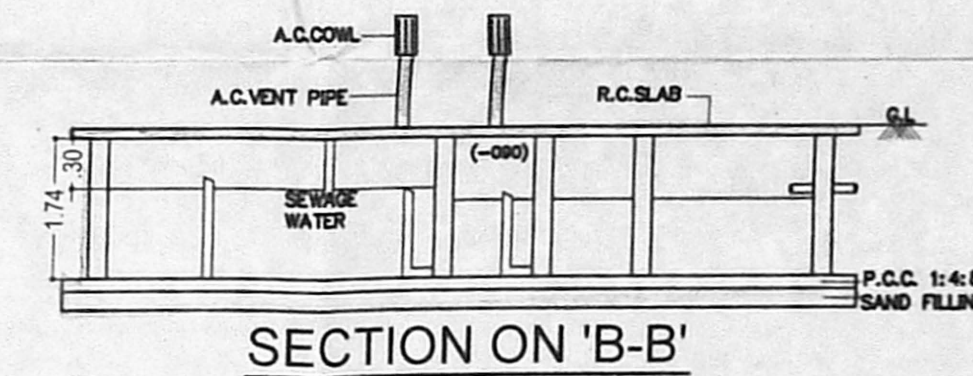
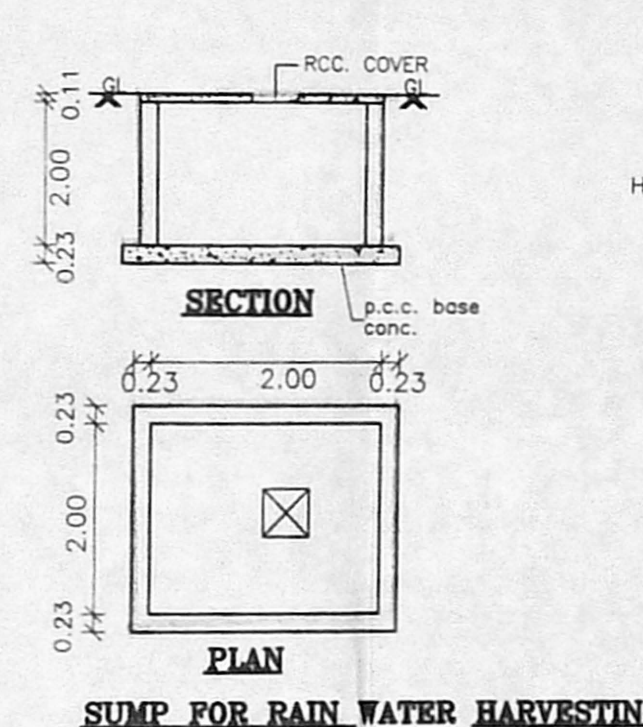
PLAN SHOWING THE PROPOSED CONSTRUCTION OF A RESIDENTIAL BUILDING AT PLOT NO. 259-A, 8th STREET, GUBERAN NAGAR EXTN, IN S.NO.131 / 11B(PART) & 131/18(PART), OF MADIPAKKAM VILLAGE, SOLINGANALLUR TALUK, KANCHIPURAM DISTRICT, GREATER CHENNAI CORPORATION DIVISION: 188 ZONE: XIV.

FOR. K.VELUSAMY

REF:- SANCTIONED SUBDIVISION PLAN VIDE SD/WDCN14/00108/2019, DATED. 09.05.2019



PROPOSED SITE



**SCHEDULE OF JOINERY**

| S.No | DESCRIPTION | HEIGHT | DESCRIPTION |
|------|-------------|--------|-------------|
| MD   | MAIN DOOR   | 2.10   |             |
| D    | DOOR        | 2.13   |             |
| W    | WINDOW      |        |             |
| W    | WINDOW      |        |             |
| W    | WINDOW      |        |             |
| W    | WINDOW      |        |             |
| W    | WINDOW      |        |             |
| W    | WINDOW      |        |             |

**SPECIFICATION**

1. P.C.C IN M25 GRADE
2. R.C.C IN M25 GRADE
3. 230MM BRICK WORK IN C.M 1:5
4. 115MM BRICK WORK IN C.M 1:5
5. PLASTERING THE CEILING IN C.M 1:3
6. PLASTERING THE WALL IN C.M 1:4
7. WEATHERING COURSE IN BRICK JELLY LIME CONCRETE WITH A COURSE OF FLAT TILES
8. THE O.H.T IS SCIENTIFICALLY CLOSED
9. THE U.G SUMP IS SCIENTIFICALLY CLOSED
10. ALL W.C'S IN GROUND FLOOR RAISED BY 0.91M FROM G.L

**AREA STATEMENT**

| FLOOR DETAILS | FSI AREA -SQ.M |
|---------------|----------------|
| STILT FLOOR   |                |
| FIRST FLOOR   | 143.10         |
| SECOND FLOOR  | 143.10         |
| THIRD FLOOR   | 143.10         |
| TOTAL         | 429.30         |

F.S.I = 1.86

**LEGEND**

- PROPOSED CONSTRUCTION
- ROAD
- BOUNDARY LINE

SCALE: 1:100

OWNER:

V. MURTHY & CO. (PVT.) LTD.  
Consulting Civil Engineer &  
Licensed Surveyor, No. 1514, Class-I,  
Corporation of Chennai, Ambattur Township,  
C/W:Res: Lakshminarayana Apartments,  
Ponner Nagar, Mogappair, Chennai - 600 074  
Mobile: 94412 48335

LICENSED SURVEYOR